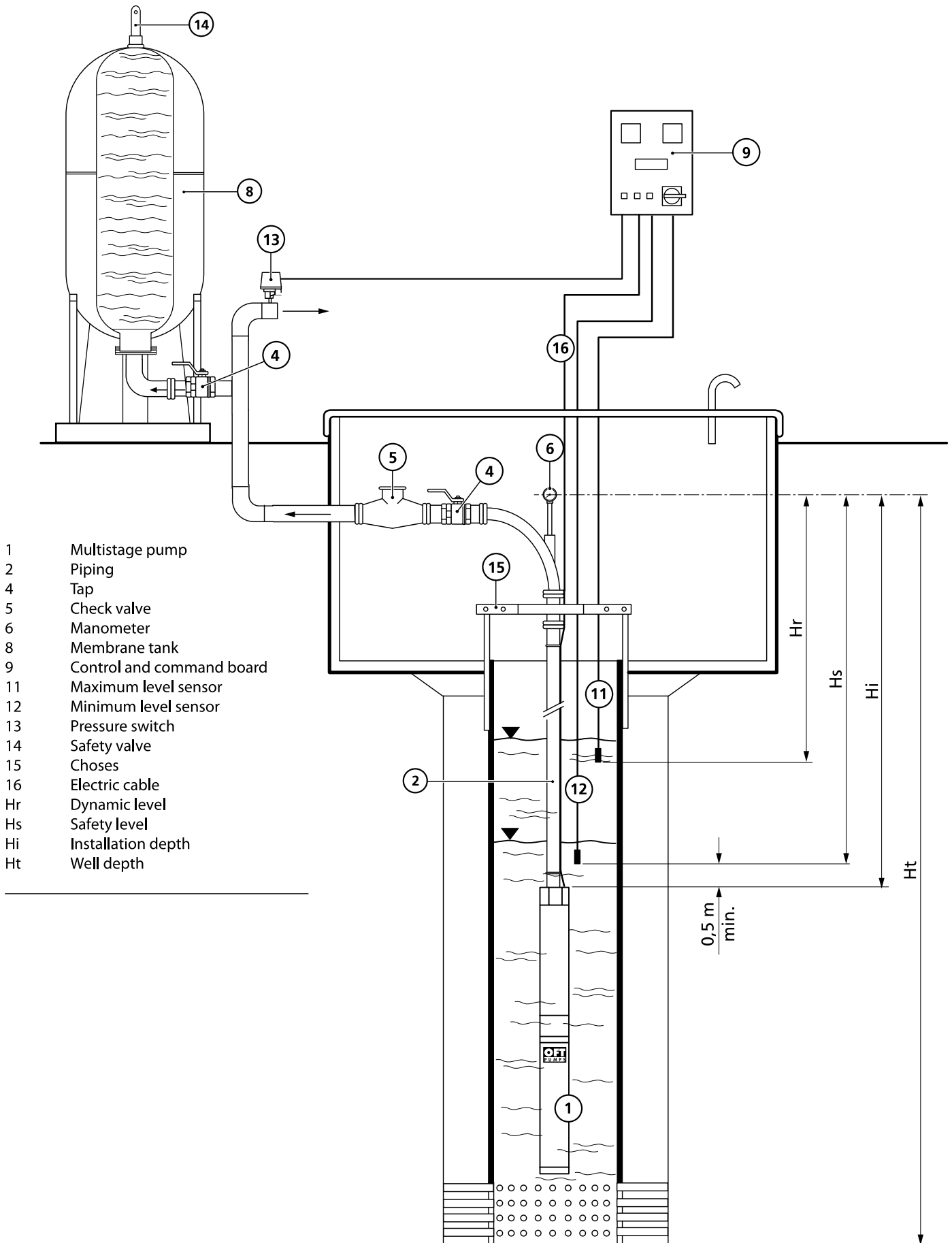
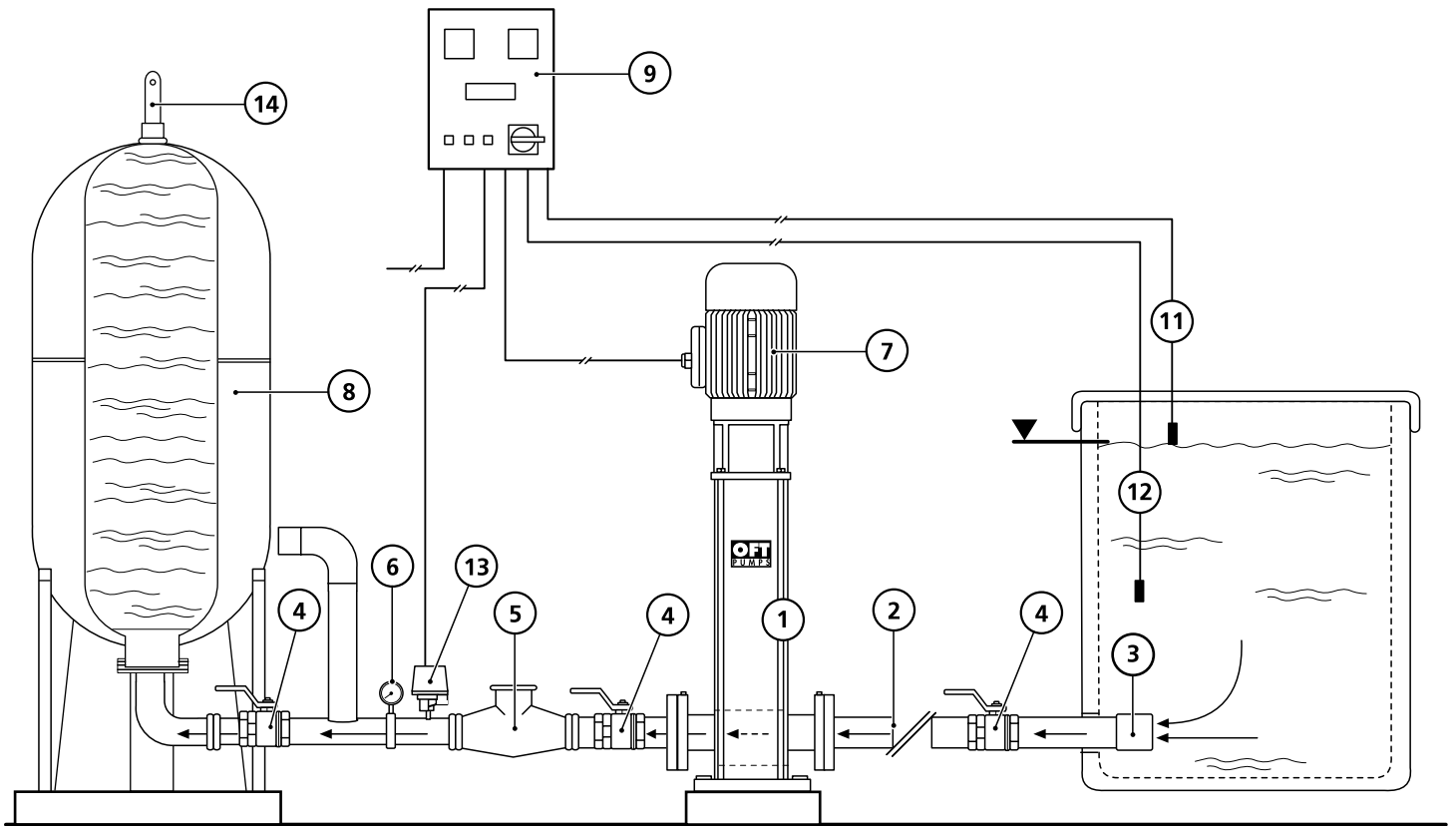


Electric submersible pumps with diaphragm tank



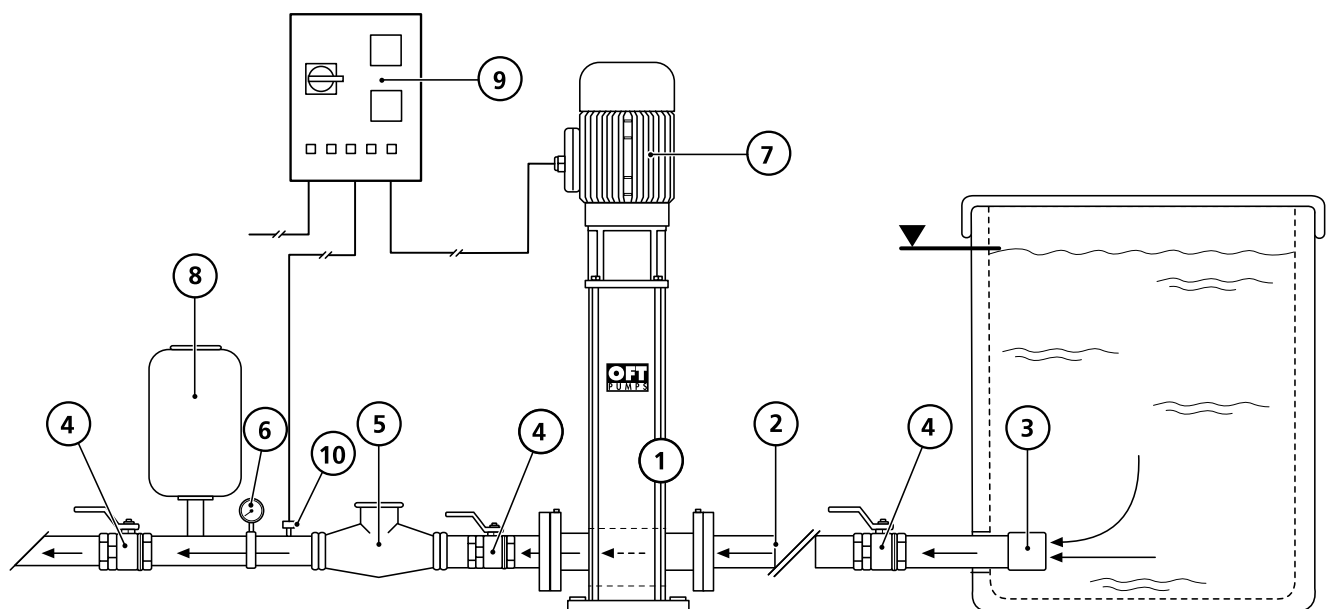
- 1 Multistage pump
- 2 Piping
- 4 Tap
- 5 Check valve
- 6 Manometer
- 8 Membrane tank
- 9 Control and command board
- 11 Maximum level sensor
- 12 Minimum level sensor
- 13 Pressure switch
- 14 Safety valve
- 15 Choses
- 16 Electric cable
- Hr Dynamic level
- Hs Safety level
- Hi Installation depth
- Ht Well depth

Under head with electric pump and diaphragm tank



- 1 Multistage pump
- 2 Piping
- 3 Filter
- 4 Tap
- 5 Check valve
- 6 Manometer
- 7 Electric motor
- 8 Membrane tank
- 9 Control and command board
- 11 Maximum level sensor
- 12 Minimum level sensor
- 13 Pressure switch
- 14 Safety valve

Under head with electric pump and inverter



- 1 Multistage pump
- 2 Piping
- 3 Filter
- 4 Tap
- 5 Check valve
- 6 Manometer
- 7 Electric motor
- 8 Membrane tank
- 9 Control and protection panel with inverter
- 10 Pressure transmitter